



Copenhagen Opera House

## EI60 Fire Rated Facade

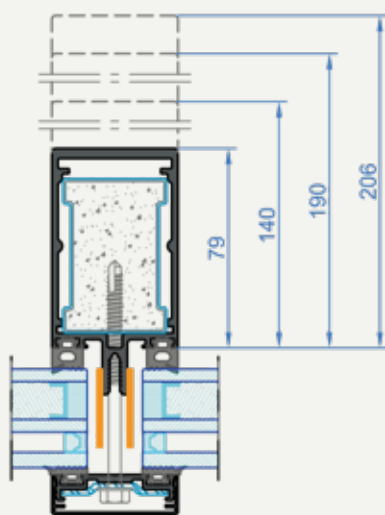
ALUFLAM AW50 glass constructions are made of narrow aluminum profiles, the space of which is filled with patented fire-resistant, retardant cooling cores.

Available in fire ratings E/EW/EI30, EI45 and EI60 with 30, 45 and 60 minutes of fire protection respectively. The products are fully tested in various European laboratories according to EN standards.

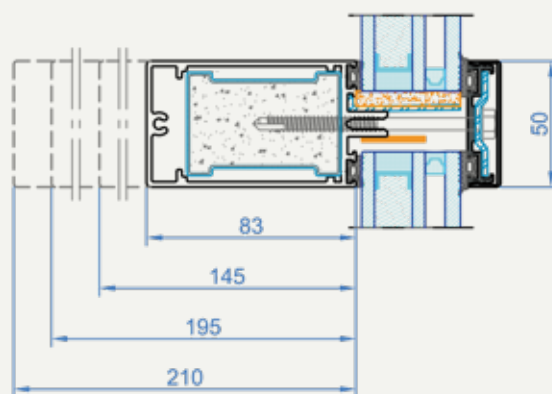


- Our facade complies with EN 12600 standards
- Fire classification EI60, tested with glass pane: 2200 x 3080 mm (max glass size)
- Single EI60 glass for inside use
- Insulate EI60 glass for outside use
- Thermal isolation with value down to  $U_m = 2.33$  [W/m<sup>2</sup>K]
- Large panes can be configured with this system
- Aesthetic, narrow sightline of the system profiles: 50 mm
- Good sound resistance
- Single and multiple window panel design is available
- Surface finishing in RAL, NCS pallets or anodized

Mullion



Transom



Class	Maximal glass pane (tested size)
E30	1523 x 1883 x 21 mm
EW30	1523 x 1883 x 21 mm
EI30	1523 x 1883 x 21 mm
E60	2200 x 3080 x 44 mm
EW60	2200 x 3080 x 44 mm
EI60	1442 x 2902 x 43 mm
EW90	2200 x 3080 x 44 mm