

## our products

designed in denmark

AW	50	FR
AW	60	FR
AF	70	FR
AF	85	FR
AF	88	FR
AF	91	FR
AF	120	FR
A+	OUT	FR
A+	IN	FR

# Family owned corporation

ALUFLAM is a family-owned business that was established in 1943 in Denmark with more than 25 years of experience in fire-rated glass and aluminium construction. We offer a wide selection of fire-rated constructions, from fire-resistance classes EI30 to EI120 such as facades, windows, doors, sliding doors, skylights and glass roofs. Our designs range from standard to more complex, specially designed systems. We are constantly developing new products, and now with our Extrusion line in Lithuania, we are able to make customized solutions.

ALUFLAM works closely with architects, contractors and building developers throughout the entire process, from the planning phase and delivery, to installation of the finished product.

For many years Aluflam has played an active role in the development of solutions to fire technical challenges for hospitals, schools, care homes, museums and other public buildings, as well as hotels, office buildings and other similar locales.



Peter Birck  
Founder

Jan Nielsen  
COO ALUFLAM Group



ALUFLAM Extrusion

## Care for the environment

ALUFLAM products are based on the new series of certified low-carbon aluminium from Hydro. This will minimize the carbon footprint of our products and maximise opportunities for our customers. The higher the recycled content, the better it is for the environment. Hydro is operating the most advanced sorting technology in the industry allows them to provide one of the highest recycled content in the market. The production process is fully traceable, and the product is certified by an independent third party. That is real recycling, making Hydro a seal of approval for low-carbon aluminium.



## MOHAMMED BIN RASHID LIBRARY

Product: Integrity & Insulalon (Aluflam E160, E190, E1120)

Consultant: Architectural Consulting Group

Contractor: ASGC

Localon: Dubai, UAE





## SHEIKH KHALIFA CENTRAL HOSPITAL

Product: Integrity & Radiation (EW60)

Consultant: Consolidated Consultants Group

Contractor: Fibrex Contracting

Location: Fujairah, UAE



# Facade AW50 FR

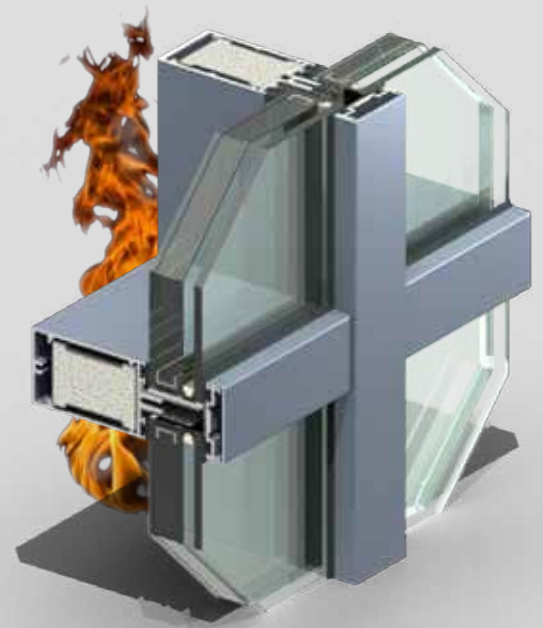


Copenhagen Opera House

## EI60 Fire Rated Facade

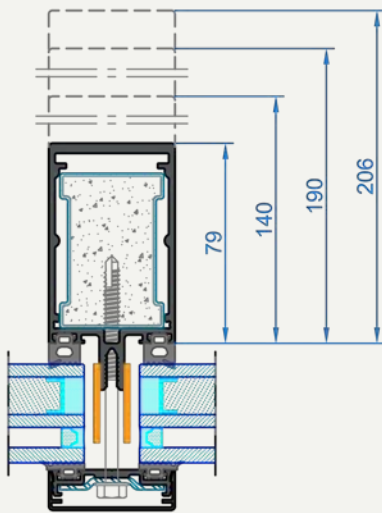
ALUFLAM AW50 glass constructions are made of narrow aluminum profiles, the space of which is filled with patented fire-resistant, retardant cooling cores.

Available in fire ratings E/EW/EI30, EI45 and EI60 with 30, 45 and 60 minutes of fire protection respectively. The products are fully tested in various European laboratories according to EN standards.

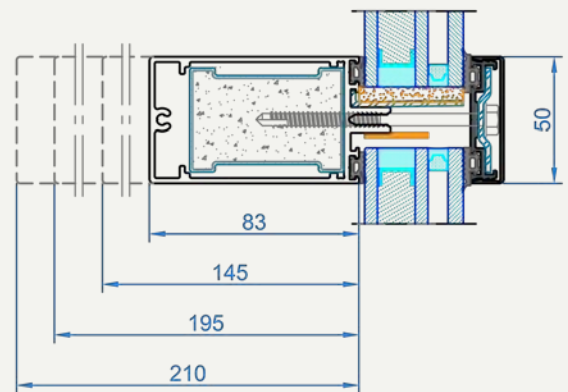


- Our facade complies with EN 12600 standards
- Fire classification EI60, tested with glass pane: 2200 x 3080 mm (max glass size)
- Single EI60 glass for inside use
- Insulate EI60 glass for outside use
- Thermal isolation with value down to  $U_m = 2.33 [W/m^2K]$
- Large panes can be configured with this system
- Aesthetic, narrow sightline of the system profiles: 50 mm
- Good sound resistance
- Single and multiple window panel design is available
- Surface finishing in RAL, NCS pallets or anodized

Mullion



Transom



The photo shows the specimen after the 60-minute test was finished. View from the unexposed side.

Class	Maximal glass pane (tested size)
E30	1523 x 1883 x 21 mm
EW30	1523 x 1883 x 21 mm
EI30	1523 x 1883 x 21 mm
E60	2200 x 3080 x 44 mm
EW60	2200 x 3080 x 44 mm
EI60	1442 x 2902 x 43 mm
EW90	2200 x 3080 x 44 mm

# Facade AW60 FR

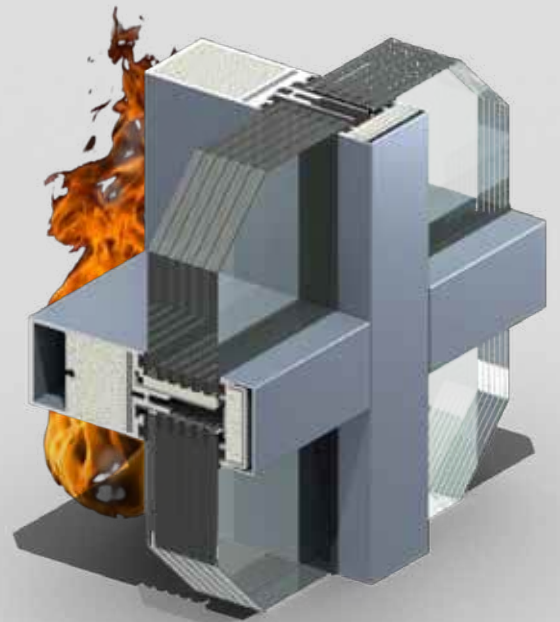


Copenhagen Youth Dwellings

## EI120 Fire Rated Facade

AW60 glass constructions are made of narrow aluminum profiles, the space of which is filled with patented fire-resistant, retardant cooling cores. Available in fire ratings E/EW/EI60, and EI120 with 60 and 120 minutes of fire protection respectively.

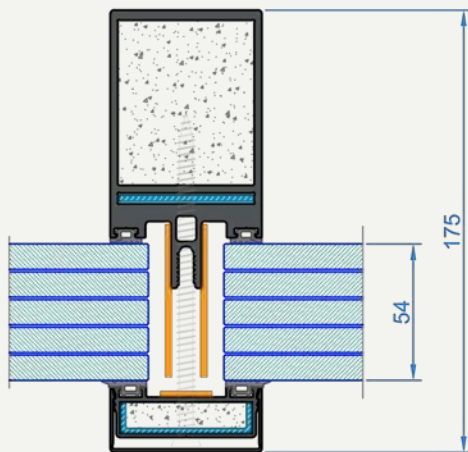
The products are fully tested in various European laboratories according to EN standards.



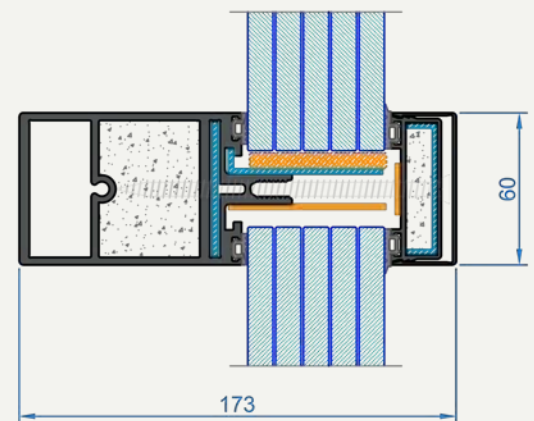


- Our AW60 facade system complies with EN 12600 standards
- Fire classification E/EW/EI60 and 120
- The barrier to thermal radiation
- Large panes can be configured with this system
- Aesthetic, narrow sightline of the system profiles: 60 mm
- Good sound resistance
- Single and multiple window panel design is available
- Surface finishing in RAL, NCS pallets or anodized

Mullion



Transom



The picture presents the specimen view after the 120 minutes test where performed. The photo was taken on the unexposed side.

# Double Door AF70 FR



## Fire Rated Door

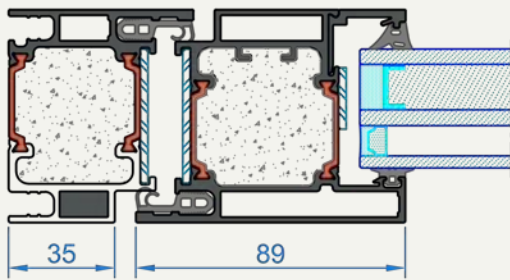
Aluflam AF70 glass fire doors are high performance, thermally broken narrow aluminium frames with its cavity filled with patented fire retardant cooling core.

Incorporating extensively tested fire resistant glazing, the AF70 door system can be used internally up to 60 minute fire ratings.

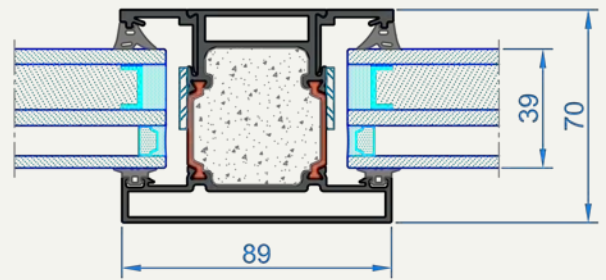


- Clean, sharp lines of narrow stile aluminium
- Large glass areas
- Easily integrated into large shopfront, glass partition or curtain wall
- Can be install in masonry or plasterboard fire wall Simple installation
- High impact resistance
- Energy efficient
- Incorporates high quality commercial door hardware Interior and exterior installation
- Fire rating up to EI60

Frame / Door



Transom



Fire resistance class:	EI60
Functionality:	single and double doors
Opening:	inward and outward
Building depth:	70 mm
Material:	Aluminium RAL/anodized

# System AF85 FR



## Fire Rated Doors & Windows

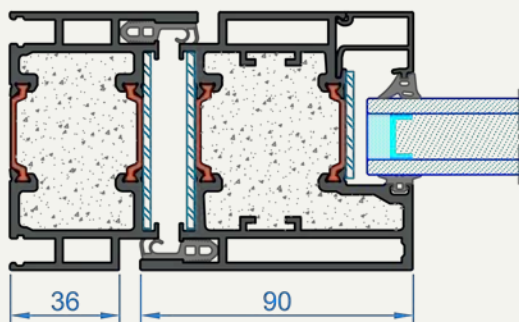
Our fire windows comply with EN 12600 safety glass standards and have excellent clarity and noise reduction. The glasses can be assembled with profile or can be assembled in a butt-joint system solution for glazed walls.

Available in fire class E/EW/EI 30, 45, and 60 with 30, 45, and 60 minutes fire protection, respectively. Products are fully tested in a number of European laboratories and EN standards.

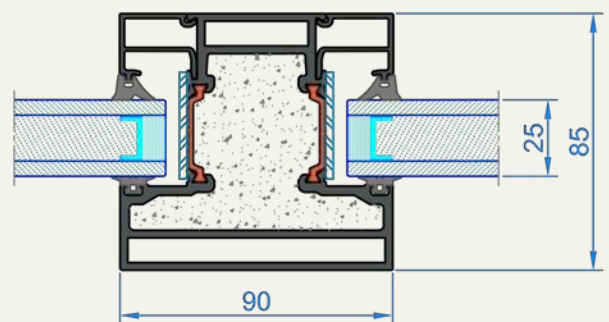


- ALUFLAM AF85 sliding system can be produced with integrated glass doors or flush doors up to EI60
- Single or double sliding system
- Large glass areas
- Narrow profiles
- Good sound resistance
- Ready for glass-to-glass joints (Butt-Joint)
- Available in single and multiple window panel design
- Simple assembly
- Can be manual, semi-automatic, or automatic

Door



Mullion



Fire resistance	E30 - EI60
Reference Test	IFCA 08110 IMO A754 (18) / BS 476 part 22
Sound	Up to 46 dB
Maximal width	1200 mm (per glass field)
Minimal height	2050 mm (per glass field)
Profile height / depth	62 / 85 mm
Surface finishing	RAL, NCS, anodizing

# Double Door AF88 FR



DTU i Kongens Lyngby

## Fire Rated Door

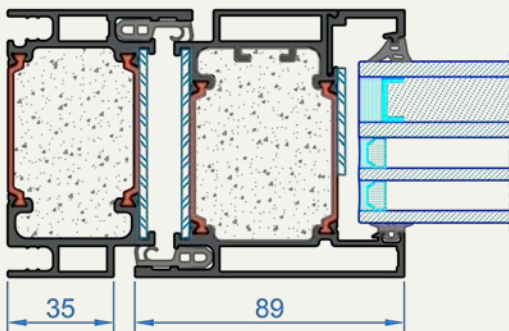
Aluflam AF88 glass fire doors are high performance, thermally broken narrow aluminium frames with its cavity filled with patented fire retardant cooling core.

Incorporating extensively tested fire resistant glazing, the AF88 single door system can be used internally up to 60 minute fire ratings.

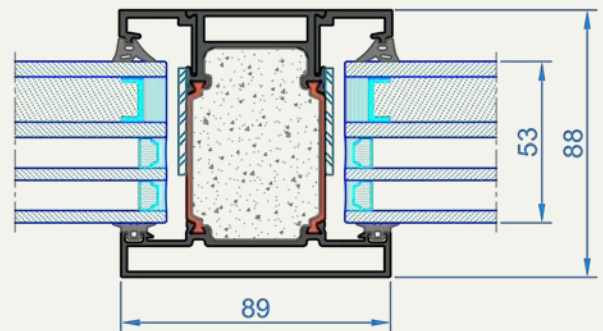


- Inward and outward opening version
- Single and double door versions
- For internal and external usage
- System depth 88 mm
- Glass thickness up to 60 mm
- Concealed, surface and roller type of hinges

Frame / Door



Transom



Fire resistance class:	EI60
Functionality:	single and double doors
Opening:	inward and outward
Building depth:	88 mm
Material:	Aluminium RAL/anodized

# System AF91 FR



## Fire Rated Doors & Windows

Our fire windows comply with EN 12600 safety glass standards and have excellent clarity and noise reduction. The glasses can be assembled with profile or can be assembled in a butt-joint system for a glazed wall solution.

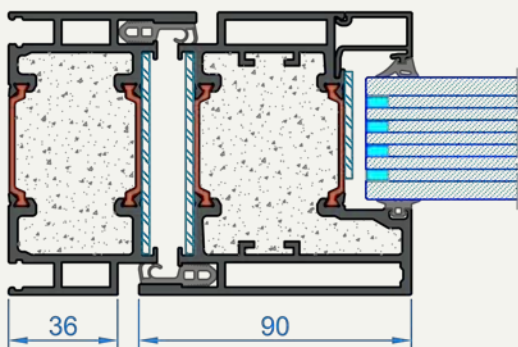
Available in fire class EW/EI 90 and E/EW120 with 90 and 120 minutes fire protection, respectively. Products are fully tested in various European laboratories and EN standards.



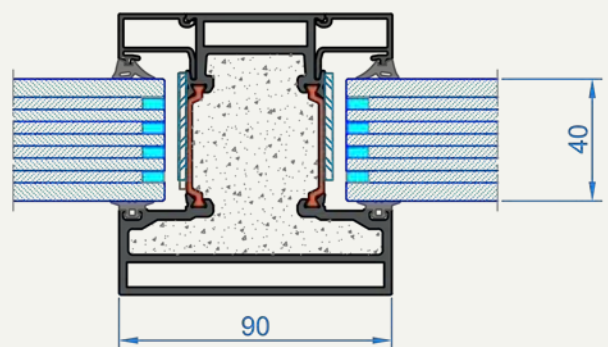


- System AF91 can be done with integrated glass doors and flush doors up to EI60
- Large glass areas
- Narrow profiles
- Good sound resistance
- Ready for glass-to-glass joints (Butt-Joint)
- Available in single and multiple window panel design
- Simple assembly
- Fire classification up to EW120

Door



Mullion



Fire resistance	EW90 - EW120
Reference Test	EN 1634-1: LPP02_2526_12_Z00NP
Sound	Up to 46 dB
Maximal width	965/971 mm (per glass field)
Minimal height	2100/2002 mm (per glass field)
Profile height / depth	62 / 93 mm
Surface finishing	RAL, NCS, anodizing

# AF120



Office application

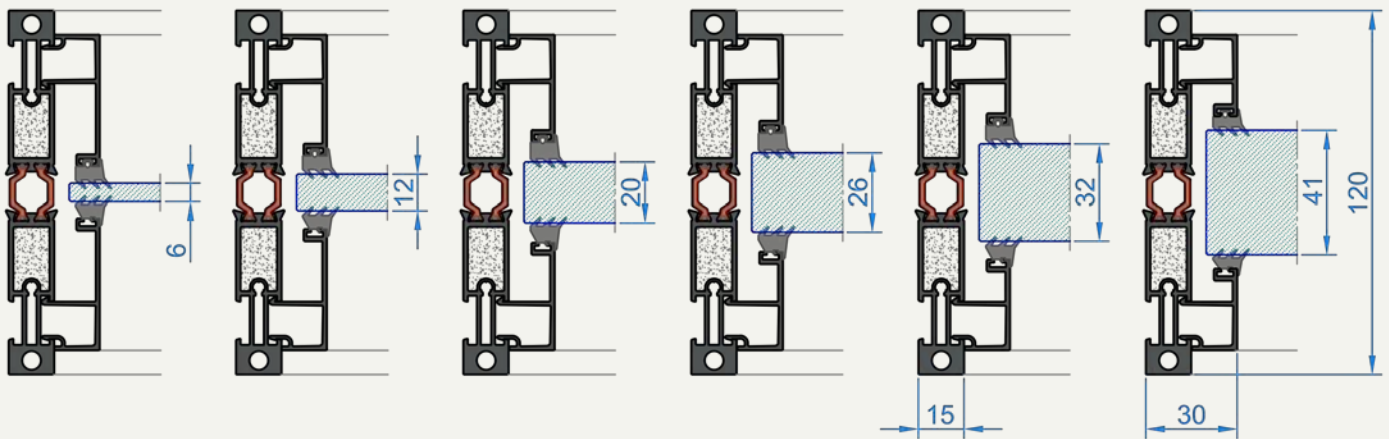
## Internal walls system

ALUFLAM AF120 system allows building structures constructed of narrow aluminium profiles filled with patented fire-redant cooling core. The product is available in 30, 45 and 60 minutes protection in EI fire class. Our fire windows comply with EN 12600 safety glass standards and have excellent clarity and noise reduction. System AF120 allows the design of structures with integrated glass doors or flush doors up to EI30.



- **Fire resistance** – EI60 class
- **Visual effect** – narrow window frame with 30 mm sightline
- **Universal installation** – the possibility of installation as a single door in the wall construction and as an element of the facade system
- **Noise reduction** up to 40dB
- **Numerous profiles family** – wide palette of glazing beads allows using any glass unit in the range 6-41mm with 1mm increment
- **Numerous colours and finishes** – aluminium profiles available in diverse RAL colours and anodised

The system is adapted to the full range of glass package thicknesses in the range of 6-41 mm



Fire resistance	EI60 (internal & external side)
Material	Aluminium RAL / anodized
Maximal size (width x height)	3205 x 3055 mm
Acoustic performance	up to 40 (-2;-6) dB
Sightline	30 mm
Frame depth	120 mm

# A+ Outward FR Window



Carlsberg Byen in Copenhagen

## Outward Opening Fire-Rated Window

ALUFLAM is proud to present a new window system with an exceptionally low profile that opens outwards.

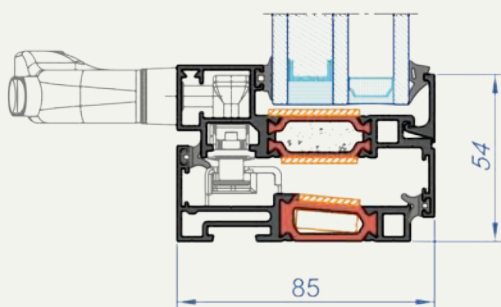
The profile height of 54 mm ensures not only lightness and aesthetics but also full coherence with all other products of the A+ family. This system complies with the EI60 classification for both sides, internal and external.



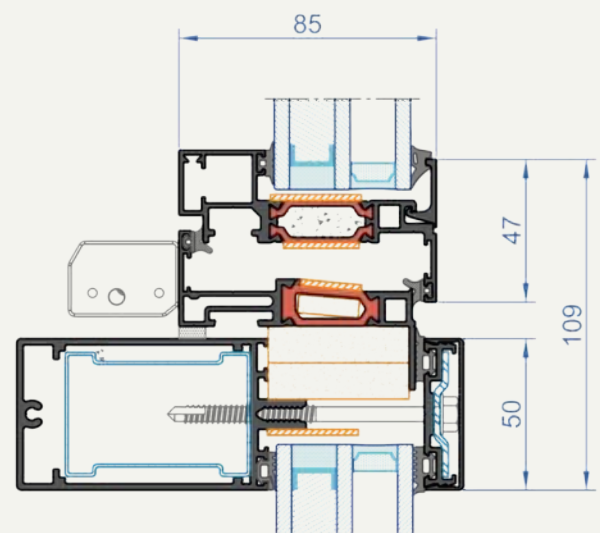
# Outward opening fire-rated window from the A+ family

- **Fire resistance** – EI60 / EW60 / E60 for the used glass:  
VETROTECH CF60 / air / Planilux ( 27 / 12 / 6 mm )
- **Visual effect** – narrow window frame with 54 mm sightline ensures full visual and system compatibility with all other A+ family products
- **Universal installation** – the possibility of installation as a single window in the wall construction and as an element of the facade system
- **Various opening options** – a manual opening option with a handle or automatic opening using special actuators, top hung opening angle: 50 degrees
- **Numerous colours and finishes** – aluminium profiles available in diverse RAL colours and anodised

Manual handle version

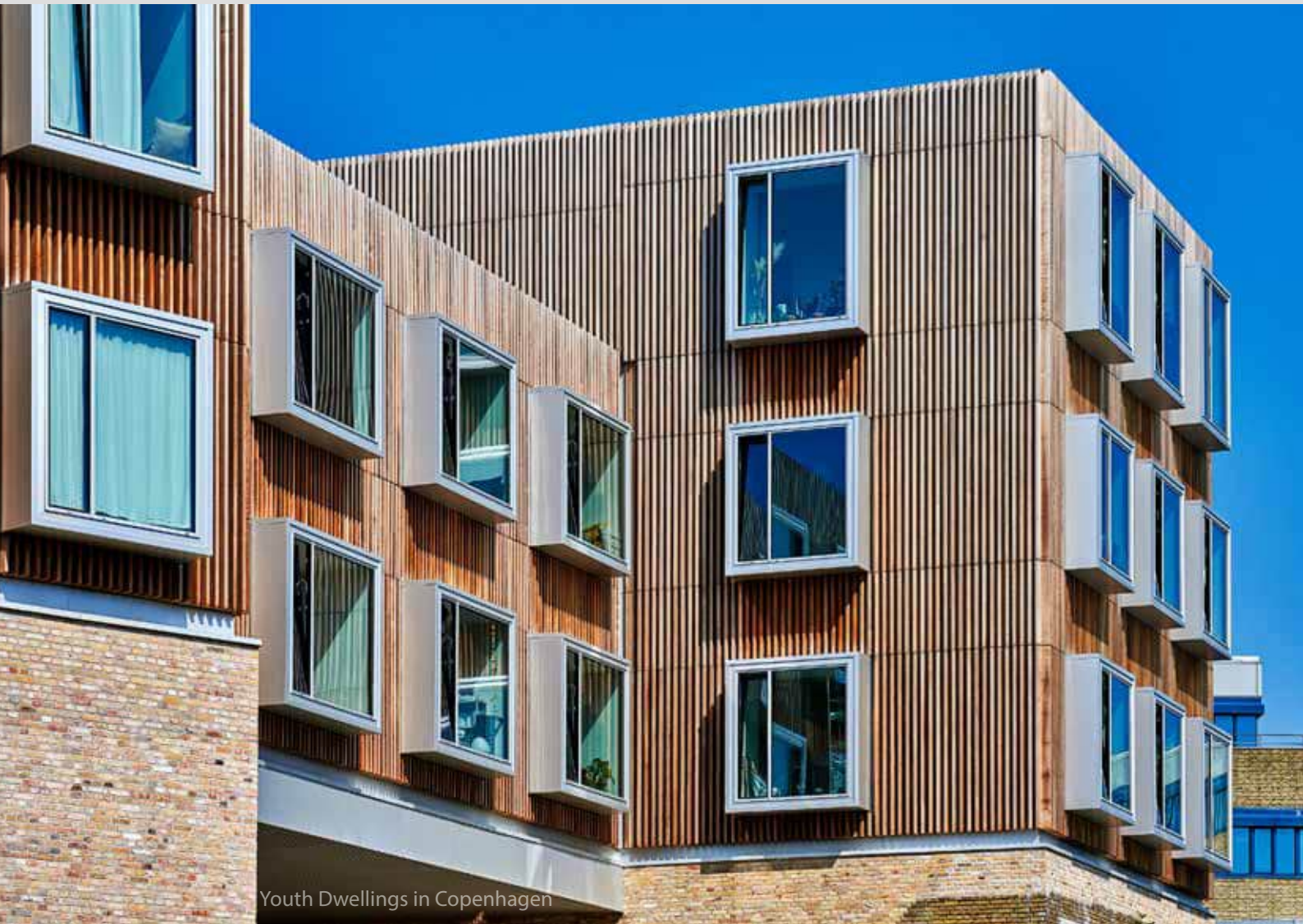


Automatic actuators version (example with facade AW50)



Fire resistance	EI60 / EW60 / E60 (internal & external side)
Glass	VETROTECH CF60 / air / Planilux ( 27 / 12 / 6 mm )
Material	Aluminium RAL/anodized
Maximal size	1244 x 1104 mm
Minimal size	700 x 700 mm
Sightline	54 mm
Opening	Manual/Automatic (Outward)

# A+ Inward FR Window



## Inward Opening Fire-Rated Window

ALUFLAM is proud to present a new window system with an exceptionally low profile that opens inwards.

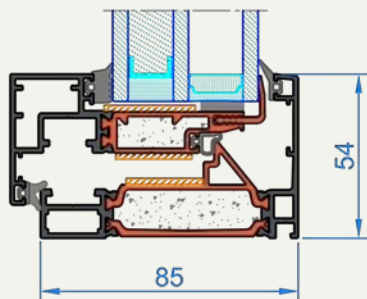
The profile height of 54 mm ensures not only lightness and aesthetics but also full coherence with all other products of the A+ family. This system complies with the EI60 classification for both sides, internal and external.



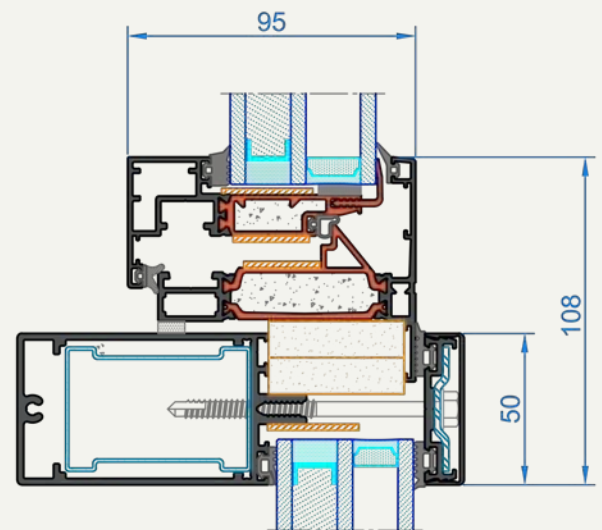
# Inward opening fire-rated window from the A+ family

- **Fire resistance** – EI60 class
- **Visual effect** – narrow window frame with 54 mm sightline ensures full visual and system compatibility with all other A+ family products
- **Universal installation** – the possibility of installation as a single window in the wall construction and as an element of the facade system
- **Numerous frame depths** – wide palette of frame profiles with different depths and types of sightline: straight and bevel
- **Numerous colours and finishes** – aluminium profiles available in diverse RAL colours and anodised

Window



Facade window (example with facade AW50)



Fire resistance	EI60 / EW60 / E60 (internal & external side)
Functionality	Turn & Tilt
Material	Aluminium RAL/anodized
Maximal size	1244 x 1104 mm
Minimal size	700 x 700 mm
Sightline	54 mm
Available frame depths	85 / 95 / 149 / 159 / 174 mm



**ALUFLAM A/S  
HEADQUARTER**

Langebjergvaenget 13-15  
DK-4000 Roskilde  
DENMARK

P: (+45) 46 75 06 11  
M: info@alufлам.com  
W: www.alufлам.com

**ALUFLAM  
EXTRUSION**

Ukmergės g.17  
Jonava  
LT-55101  
LITHUANIA

P: (+370) (692) 13121  
M: info@alufлам.lt  
W: www.alufламextrusion.lt

**ALUFLAM  
NORTH AMERICA**

16604 Edwards Road  
Cerritos  
CA 90703  
USA

P: (+1) 562.926.9520  
W: www.alufлам-usa.com

**ALUFLAM  
UNITED KINGDOM**

Unit 21,  
Business Innovation Centre  
Binley Business Park  
Harry Western Road  
Coventry CV3 2TX

**Martin Grove**  
**Operations Director UK**  
P: (+44) (0) 7563.834.746  
M: martin.grove@alufлам.co.uk

**ALUFLAM  
AUSTRALIA**

467 Hammond Rd  
Dandenong South  
VIC 3175  
AUSTRALIA

P: (+61) 3 8526 1999  
M: info@alufлам.com.au  
W: www.alufлам.com.au

**ALUFLAM  
EGYPT CAIRO**

Merna Nashaat  
Representative Engineer

P: (+20) 1003322163  
M: mn@alufлам.com