

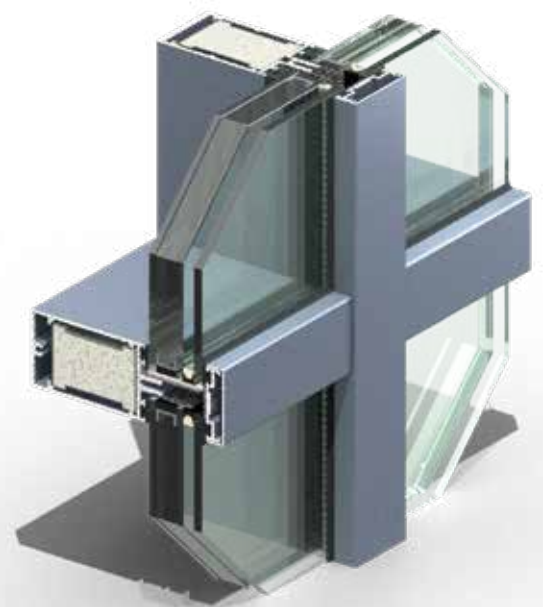


Copenhagen Opera House

EI60 Fire Rated Facade

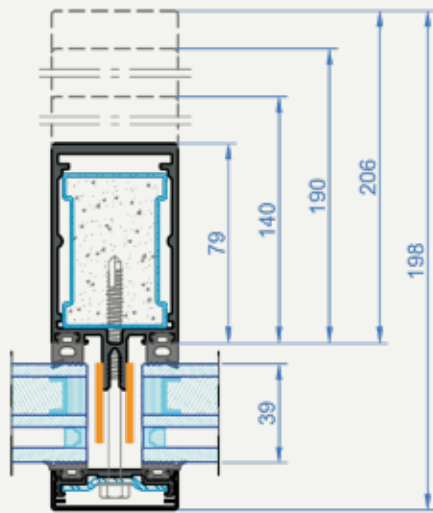
ALUFLAM AW50 glass constructions are made of narrow aluminum profiles, the space of which is filled with patented fire-resistant, retardant cooling cores.

Available in fire ratings E/EW/EI30, EI45 and EI60 with 30, 45 and 60 minutes of fire protection respectively. The products are fully tested in various European laboratories according to EN standards.



- Our facade complies with EN 12600 standards
- Fire classification EI60, tested with glass pane: 2200 x 3080 mm (max glass size)
- Single EI60 glass for inside use
- Insulated EI60 glass for outside use
- Thermal isolation with value down to $U_m = 2.33 [W/m^2K]$
- Large panes can be configured with this system
- Aesthetic, narrow sightline of the system profiles: 50 mm
- Good sound resistance
- Single and multiple window panel design is available
- Surface finishing - powder coating (RAL, NCS), anodizing

Mullion



The photo shows the specimen after the 60-minute test was finished. View from the unexposed side.

Fire resistance	EW30 - EW90, EI30 - EI60
Tested glass	Fireblock 30-60, Contraflam 60
Maximal size	EW90: 2200 x 3080 mm / EI60: 1442 x 2902 mm
Minimal size	-
Frame depth / Sightline	78, 140, 190, 206 mm (mullion internal width) / 50 mm
Maximal glazing thickness	80 mm
Functionality	curtain walls